

Absolute Maximum Ratings¹

Parameter	Absolute Maximum
Maximum Input Power	
DC - 0.5 GHz	+27 dBm
0.5 - 2.0 GHz	+34 dBm
Supply Voltages	
V _{CC}	-0.5 V to +7.0 V
V _{EE}	-18 V to +0.5 V
Control Voltage	-0.5 V to V _{CC} + 0.5 V
Operating Temperature	-55°C to +125°C
Storage Temperature	-65°C to +150°C

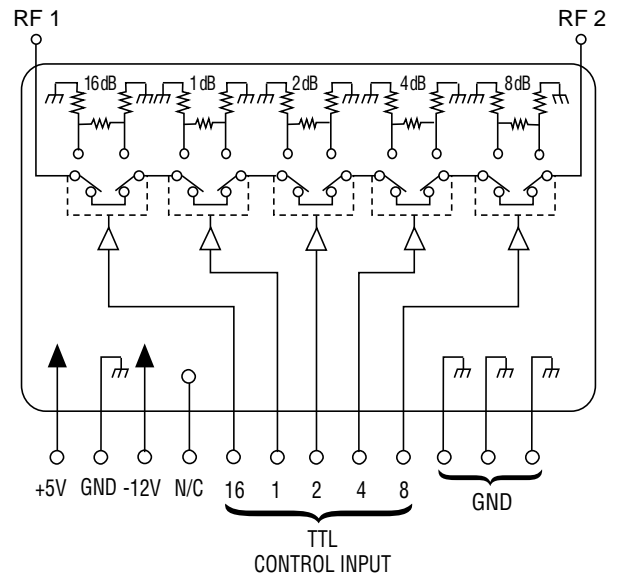
1. Operation of this device above any one of these parameters may cause permanent damage.

Truth Table

Control Inputs					Attenuation
C16	C8	C4	C2	C1	
0	0	0	0	0	Reference
0	0	0	0	1	1 dB
0	0	0	1	0	2 dB
0	0	1	0	0	4 dB
0	1	0	0	0	8 dB
1	0	0	0	0	16 dB
1	1	1	1	1	31 dB

0 = TTL Low
1 = TTL High

Functional Schematic



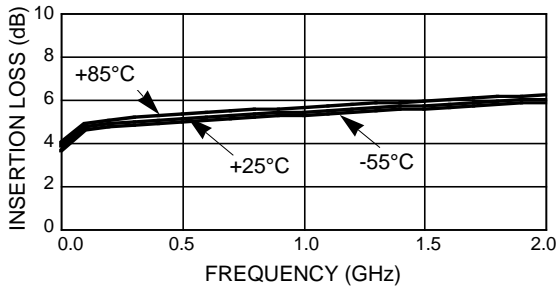
Ordering Information²

Part Number	Package
AT15-0001	Dual Inline

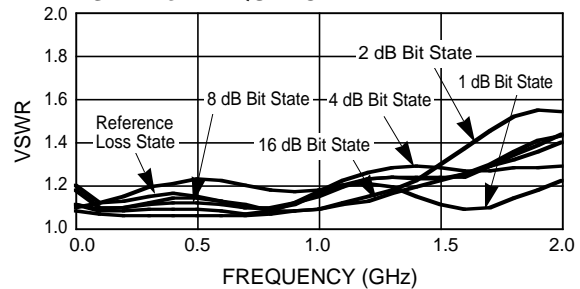
2. Contact the factory for standard or custom screening requirements.

Typical Performance

REFERENCE INSERTION LOSS vs FREQUENCY

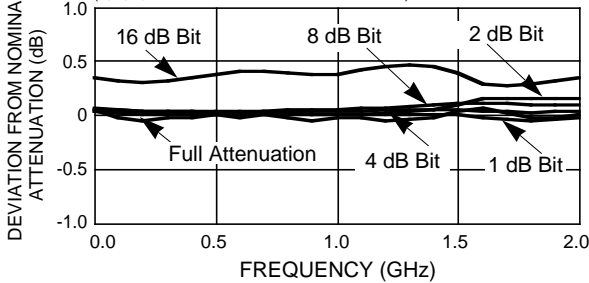


VSWR vs FREQUENCY



ATTENUATION ACCURACY vs FREQUENCY

(1, 2, 4, 8 and 16 dB Bits and Full Attenuation)



Specifications Subject to Change Without Notice.